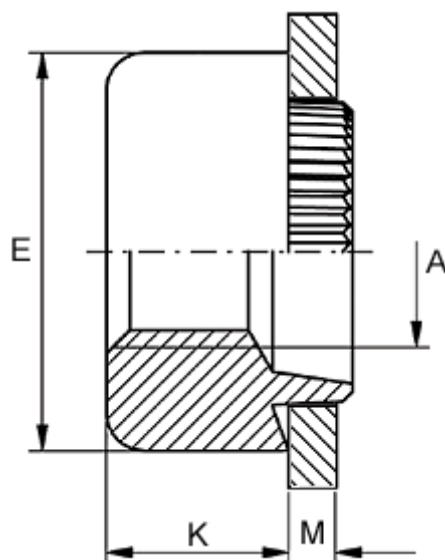


Article number: 12712000120110

Description: KLEE-coil 712 000 120.110
M12 Unhardened, zinc-pl. & chr. blue

Measures



Female thread A	= M12
Height K	= 10.0
Outer diameter E	= 25.0
Plate thickness	= 3.2 to 3.4
Recommended bore diameter for extreme load	= 19.0
Recommended bore diameter for normal use	= 20.0